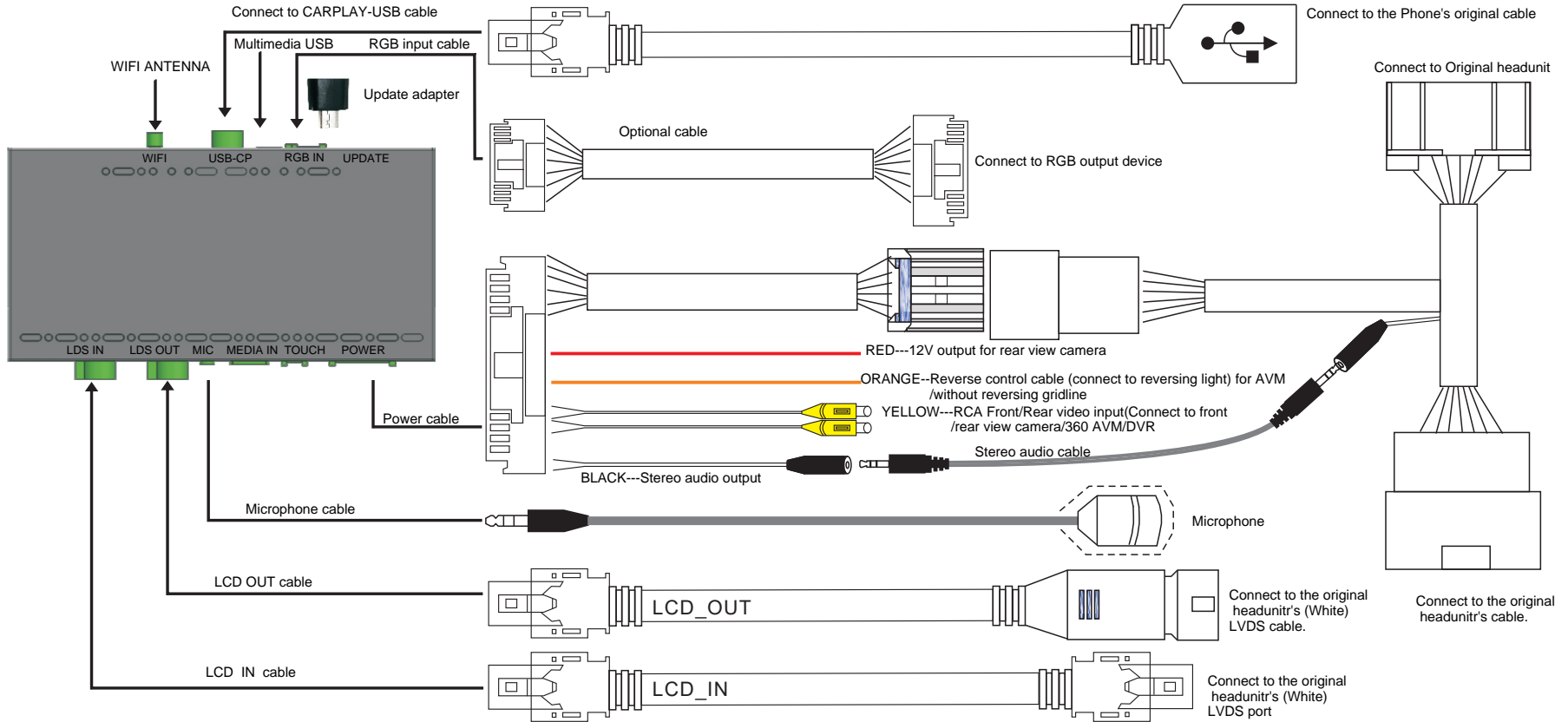
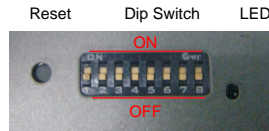


# Masarati WIRING DIAGRAM---LDS-MSRT-CP



**DIP SWITCH SETTING**  
(After changing the dip code, press "reset" or power-on again)

PIN 1	OFF / ON	NG / NG
PIN 2	OFF / ON	NG / Touch point coordinate correction, and then turn on "OFF"
PIN 3	OFF / ON	NG / NG
PIN 4	OFF / ON	Reversing gridline/Enable 360 panoramic
PIN 5	OFF / ON	NG / NG
PIN 6	OFF / ON	NG / NG
PIN 7	OFF / ON	NG / NG
PIN 8	OFF / ON	Aftermarket rear view camera/Original rear view camera



Aux Adapter  
(Install into the original AUX port)



**REMARK:** Please keep in the AUX interface when switch the CarPlay interface



- 1) Long press and hold "MENU" button to switch MENU, long press "MENU" button again, exit the switch MENU.
- 2) Other functions use touch screen to control it.

# Rückfahrkamera-Einstellungen

