

AxTON

CAR AUDIO SYSTEMS



AT101 | AT401

1- / 4-CHANNEL 24V POWER AMPLIFIERS

**INSTALLATION & OPERATION MANUAL
EINBAU & BEDIENUNGSANLEITUNG**

Thank you for purchasing this AXTON amplifier!

To maximize the performance of this amplifier and your complete truck audio system installation, we recommend you acquaint yourself thoroughly with all technical features and controlling options of this AXTON amplifier. Please read this manual carefully, before attempting the installation.

If, after reading this manual, you still have questions regarding functions or the installation of the amplifier, we recommend that you consult your dealer.

SAFETY INSTRUCTIONS

- **Do not turn on any function which may distract you while driving your truck.** Functions requiring sustained attention must only be used when the truck is at a complete standstill. Make sure to always stop your truck in a safe place before operating these functions. There are risks of causing an accident.
- **Keep the volume at a low level to be able to hear exterior noises while driving the truck.** There are risks of causing an accident.
- **Do not open the amplifier or undertake any modification of the product.** There is a risk of accident, fire or electric shock.
- **Only use this amplifier with 24V mobile applications.** Any use other than for this product intended may lead to fire, electric shock or injury.
- **Use correct amperage fuses.** There are risks of fire or electrocution.
- **Do not obstruct radiators and/or vents.** Internal overheating may occur and cause a fire.
- **Ensure all connections are properly made.** Check the section of cable and the type of cable if it does not correspond with the use. There is a risk of fire, injury and/or damage to the product.
- **Do not use screw nuts or fasteners part of the steering or braking systems for ground connection.** The fasteners and nuts used for the brake and steering systems (or any other security system) as well as various tanks must never be used for grounding. Use of these parts as ground may deactivate the truck's control system and cause a fire or other technical problem.
- **Keep all small objects which could be swallowed, such as the fasteners and screws, out of the reach of children.** Swallowing such objects may cause serious injuries. In the event of swallowing any of these objects, immediately seek medical advice.
- **Before starting the installation, disconnect the negative terminal of the battery** to avoid any risk of injury, fire or damage to the equipment.

TECHNICAL SPECIFICATIONS

MONO AMPLIFIER AT101

230 W x 1 @ 4 Ohm (< 1 % THD / 28.8 V)

380 W x 1 @ 2 Ohm (< 1 % THD / 28.8 V)

600 W x 1 @ 1 Ohm (< 1 % THD / 28.8 V)

Frequency response: 10 Hz – 250 Hz

Variable input sensitivity: 0.4 – 10 V

Signal to noise ratio: > 86 dB

Low pass filter: 50 – 250 Hz

Subsonic filter: 10 – 55 Hz

Dimensions LxHxW: 205 x 40 x 105 mm

4-CHANNEL AMPLIFIER AT401

100 W x 4 @ 4 Ohm (< 1 % THD / 28.8 V)

165 W x 4 @ 2 Ohm (< 1 % THD / 28.8 V)

330 W x 2 @ 4 Ohm (< 1 % THD / 28.8 V)

Frequency response: 10 Hz – 35 kHz

Variable input sensitivity: 0.4 – 10 V

Signal to noise ratio: > 85 dB

High pass filter: 40 – 400 Hz

Low pass filter: 40 – 400 Hz

Dimensions LxHxW: 233 x 40 x 105 mm

AT101 CONNECTIONS + CONTROLS

1 SIGNAL INPUTS R / L

Low-level stereo RCA signal or high-level speaker signal input terminal for connection to head-unit.

2 INPUT LEVEL

Input gain potentiometer to match the output voltage of the head unit to the amplifier's input.

3 AUTO-TURN-ON MODE

Slide switch to select the auto-turn-on function: REM by remote wire, VOX to switch on by music signal or DC by DC offset signal of the head units integrated amplifier.

4 INPUT SENSITIVITY CONTROL

Input gain potentiometer "SENS" to match the output voltage of the head unit to the amplifier's input.

5 SUBSONIC HIGHPASS FREQUENCY CONTROL

Control potentiometer to adjust the subsonic highpass filtering frequency point of the subwoofer output channel.

6 BASS BOOST 0dB to + 18dB

Turn clockwise to get up to + 18dB bass boost or counterclockwise for no boost with a 45 Hz center frequency of the amplified output signal.

7 LOWPASS FREQUENCY CONTROL

Control potentiometer to adjust the lowpass filtering frequency point of the subwoofer output channel.

8 BASS LEVEL REMOTE CONTROL INPUT

Input terminal to connect the external bass level remote to the amplifier.

9 INPUT MODE SELECTION

Switch to select the proper input sensitivity range: RCA signal input = Low. Speaker signal input = Hi.

10 POWER LED

LED to show the operating status of the amplifier by blue/red illumination. Blue is normal working state, red is protect mode of amplifier.

11 SPEAKER OUTPUT TERMINAL

Output terminal to connect the speakers to the amplifier.

12 "+24 V" POWER INPUT TERMINAL

Terminal to connect the amplifier to the positive +24 V pole of the truck battery.

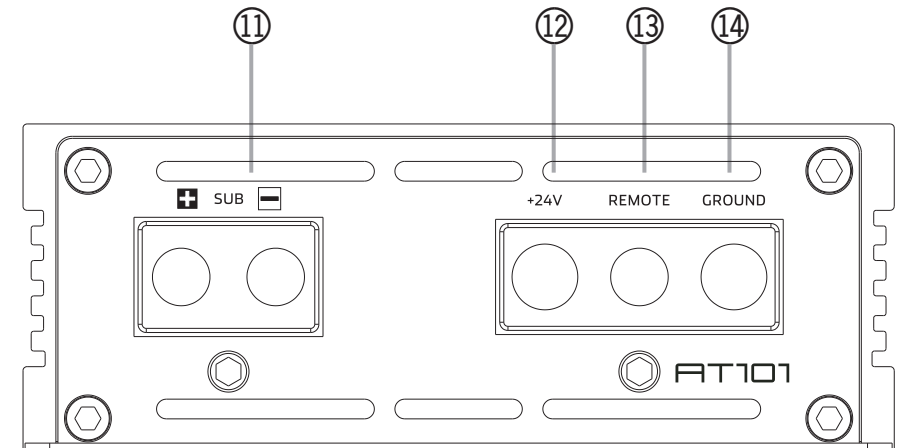
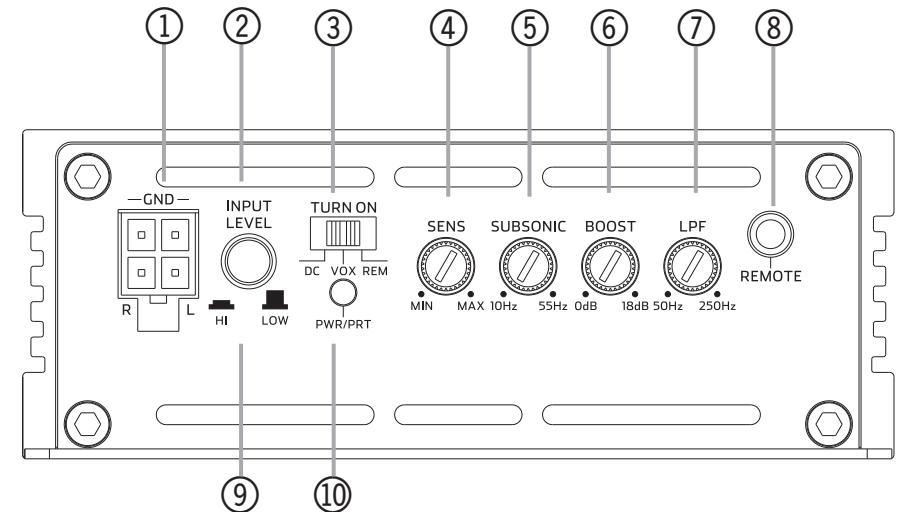
13 "REM" INPUT TERMINAL

Terminal to connect the amplifier to the automatic (remote) turn-on / turn-off lead of the head unit. By using the REM terminal, you need to switch the Auto-turn-On mode ③ to the "REM" position.

14 "GND" POWER INPUT TERMINAL

Terminal to connect the amplifier to the chassis ground or negative pole of the truck battery.

AT101 CONNECTIONS + CONTROLS



AT401 CONNECTIONS + CONTROLS

1 SIGNAL INPUTS FRONT CH1 / CH2

Front channel Low-level stereo RCA signal or high-level speaker signal input terminals for connection to head-unit.

2 INPUT SENSITIVITY CONTROL FRONT CHANNELS

Input gain potentiometer for channel CH1 / CH2, to match the output voltage of the head unit to the amplifier's input.

3 OPERATION MODE SWITCH FRONT CHANNELS

Slide switch to select the operation mode of the X-over for section CH1 / CH2 of the amplifier: Highpass [HPF], Lowpass [LPF] or full signal [FULL].

4 X-OVER FREQUENCY CONTROL FRONT CHANNELS

Control potentiometer to adjust the highpass or lowpass filtering frequency for section CH1 / CH2 of the amplifier.

5 INPUT SENSITIVITY CONTROL REAR CHANNELS

Input gain potentiometer for channel CH3 / CH4, to match the output voltage of the head unit to the amplifier's input.

6 OPERATION MODE SWITCH REAR CHANNELS

Slide switch to select the operation mode of the X-over for section CH3 / CH4 of the amplifier: Highpass [HPF], Lowpass [LPF] or full signal [FULL].

7 X-OVER FREQUENCY CONTROL REAR CHANNELS

Control potentiometer to adjust the highpass or lowpass filtering frequency for section CH3 / CH4 of the amplifier.

8 POWER LED

LED to show the operating status of the amplifier by blue/red illumination. Blue is normal working state, red is protect mode of amplifier.

9 AUTO-TURN-ON MODE

Slide switch to select the auto-turn-on function: REM by remote wire, VOX to switch on by music signal or DC by DC offset signal of the head units integrated amplifier.

10 INPUT SIGNAL SELECTION

Slide switch to select the input signal for all channels. "2-CH" to use only front input terminal for all output channels. "4-CH" to give each output channel its corresponding input channel.

11 INPUT MODE SELECTION

Switch to select the proper input sensitivity range: RCA signal input = Low. Speaker signal input = Hi.

12 SIGNAL INPUTS REAR CH3 / CH4

Rear channel Low-level stereo RCA signal or high-level speaker signal input terminals for connection to head-unit.

13 SPEAKER OUTPUT TERMINAL

Output terminal to connect the speakers to the amplifier in either stereo or bridged mode.

AT401 CONNECTIONS + CONTROLS

14 "+24 V" POWER INPUT TERMINAL

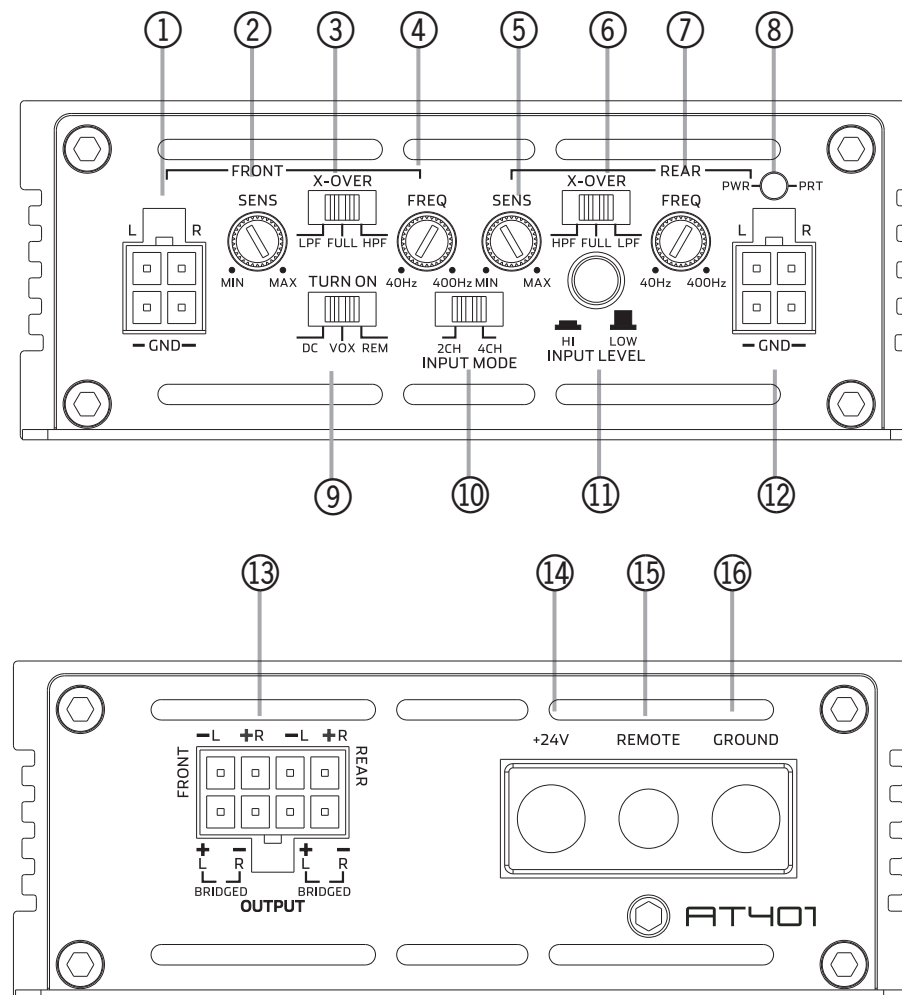
Terminal to connect the amplifier to the positive +24 V pole of the truck battery.

15 "REM" INPUT TERMINAL

Terminal to connect the amplifier to the automatic (remote) turn-on / turn-off lead of the head unit. You must switch ⑨ to "REM" when using the remote wire input terminal.

16 "GND" POWER INPUT TERMINAL

Terminal to connect the amplifier to the chassis ground or negative pole of the truck battery.



SPEAKER IMPEDANCE & POWER WIRE INFO

It is recommended that you follow the optimum speaker / subwoofer impedance suggestions below.

AT401 → 4/2 ohms stereo / 4 ohms 2 CH bridged
AT101 → 4/2/1 ohms mono

AMPLIFIER MOUNTING

Attention! For your own safety, disconnect the negative battery terminal (GND) before you start any wiring work!

Before you proceed to install this AXTON amplifier, it is recommended to map out the complete system and the respective wiring required. Consider all additional electrical requirements and accessories, such as power cables, interconnect cables etc., to complete the install.

The mounting location should be carefully selected and in the interest of passive driver and passenger safety, the amplifier must be securely mounted. Make sure that there is no wiring harness, fuel tank etc. behind or below the mounting surface that may be damaged by the drilling of the holes for the amplifier mounting screws. After installation, there should be a clearance of at least 5cm to all sides including the top of the amplifier heatsink. Make sure the unit is not exposed to direct sunlight, humidity, water, oil or spill of other fluids that may enter the amplifier.

Once the location where the amplifier will be mounted is determined, use the unit as a template for the marking of the mounting holes with pencil or felt-tip marker. The mounting holes should be pilot-drilled, using a 2,5 mm or 3 mm drill bit. Bolt the amp down.

CAUTION! There must not be a direct contact of the amplifier heatsink, bottom panel or any other metal part of the amplifier to the truck metal panel! Electrical ground-loops will cause audible hum!

WIRE ROUTING

MAIN POWER WIRES

We recommend a minimum main power cable cross-section (5m total length) of 16 to 20 mm², for both the positive and the ground wires. Following these recommendations guarantees a trouble-free operation of your amplifier, as well as full power output.

Run the positive main power cable („+24 V“) directly from the positive terminal of the truck battery to the amplifier. For protection of your truck audio system against electrical fire hazards, resulting from a short-circuit of the main power cable to chassis ground a main fuse holder must be inserted within the first 30 cm of the positive main power cable. The applicable fuse value must be matched to the limitations of your main power cable and the current draw of the amplifier – therefore choose an appropriate fuse value.

Attach the ground cable to the amplifier. In most cases it will be best to keep the ground cable (GND) as short as possible, i.e. to find a chassis contact very close to the amplifier. The ground power wire must have the same cross-section as the positive power cable.

The contact point where the ground wire is attached to, must be solid and clean, i.e. free from rust or paint!

Tighten both power input terminals of the amplifier, and double check for perfect fit of both main cable leads!

RCA & REMOTE WIRES

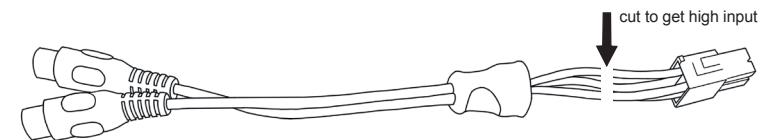
For best interference free transmission of the music signal, use double or triple shielded RCA interconnects only. Twisted pair Interconnects offer excellent noise rejection as well. Route the RCA interconnects away from potential sources of Interference, such as engine computers, gas pumps, etc.

Carefully run the audio signal interconnects, the remote wire and – if applicable - the cable of the bass level remote control (AT101 only) from the head unit or dashboard to the amplifier. As mentioned before, the audio signal cables should always be routed completely separate from the power cables. Connect the remote (turn on/turn off) lead to the respective input terminal of the amplifier and to the remote output of your head-unit. Now you can connect the RCA interconnects to the respective outputs of your head-unit and to the inputs of the amplifier by using the provided RCA input adapter. Pay attention to connect the stereo interconnects correspondingly, left is CH1, right is always CH2 a.s.o.

HIGH-LEVEL INPUT

For longer distances from the head unit to the input section, it is best to use 1.0 mm² or 1.5 mm² speaker cables to avoid a loss of power or risk degradation of the signal quality. Once the speaker cables have been routed, connect them to the speaker cable input adapter. Maintain correct polarity (“+” to “+” and “-“ to “-“). When using the high-level input, you can chose the Auto-Turn-On function “VOX” or “DC” instead of running a separate remote wire to turn on the amplifier. “VOX” turns on the amplifier when it recognizes an audio signal. “DC” is using the DC voltage of the head unit’s internal speaker amplifier. The Axton amp will then turn on/off according to the head unit’s state automatically. We recommend using the “DC” mode.

Cut the supplied RCA adapter to use it as a high-level input adapter.



LOUDSPEAKER WIRES

For longer distances to the speakers, it is best to use 1.5 mm² or 2.5 mm² speaker cables to avoid a loss of power or risk degradation of the signal quality.

Once the speaker cables have been routed, turn loose the screws of the speaker terminal binding posts and – after inserting the stripped and bare speaker cable ends – re-tighten the screws. Maintain correct polarity (“+” to “+” and “-“ to “-“).

Close the electrical circuit by attaching the ground wire to the battery and switch on your head unit. If the status LED does not illuminate, your installation is wrong! Immediately turn off your head-unit and carefully recheck all installation and wiring steps!

CROSSOVER ADJUSTMENTS

For the amplifier to perform best with your speakers, the electronic crossover controls must be set and adjusted accordingly.

SELECTING THE OPERATION MODE

You must select and set the appropriate operation mode before you can proceed to adjust crossover frequency points. This operation mode depends on the speaker system connected to the respective amplifier channels.

- Select HIGHPASS, if the speaker system is a component-, coaxial- or triaxial- type.
- Select LOWPASS for a woofer or subwoofer system.
- Select FULL, if your speaker system will handle a full range signal without electrical or mechanical overload.

HIGH PASS CROSSOVER FREQUENCY

For satellite speaker systems, select the “HPF” mode, to cut off the bass content in the music signal.

Highpass filtering will take away unnecessary mechanical and electrical ‘strain’ from the connected coaxial or component speaker systems. Depending on cone surface, voice-coil diameter and the power handling of the speakers, the following recommendations can be issued:

| FRONT DOOR SATELLITE SPEAKER SYSTEM („HPF” MODE) | HP CROSSOVER FREQUENCY |
|--|------------------------|
| 10 cm 2-way Component System | 160 - 200Hz |
| 13 cm 2-way Component System | 80 - 110Hz |
| 16 cm 2- or 3-way Component System | 50 - 80Hz |
| REAR SATELLITE SPEAKER SYSTEM („HPF” MODE) | HP CROSSOVER FREQUENCY |
| 10 cm 2-way Coaxial or Component System | 160 - 200Hz |
| 13 cm 2-way Coaxial or Component System | 100 - 120Hz* |
| 16 cm 2-way Coaxial or Component System | 100 - 120Hz* |
| 6x9” or 7x10” Triaxial Speaker System | 100 - 120Hz* |

* When a subwoofer is part of the audio system install.

LOW PASS CROSSOVER FREQUENCY

Select “LPF”, to activate the lowpass filter of the integrated electronic crossover.

The LOWPASS cut-off frequency setting depends on the woofer system and each truck is different! As a rule of thumb, settings in between 60 to 90 Hz will usually give solid results. The woofer lowpass frequency point is mostly a matter of taste, and must therefore be ‘played by ear’.

SUBSONIC CROSSOVER FREQUENCY (AT101)

Now proceed to adjust the subsonic highpass frequency. This subsonic crossover frequency point depends on the size and the power handling of the installed subwoofer system. The higher the subsonic crossover frequency is set, the better or higher mechanical power handling will result. The trade-off is reduced low end extension! The subsonic highpass cannot be bypassed. But you can set the potentiometer to a value of 10Hz to make subsonic filtering completely inaudible.

BASS BOOST (AT101)

Depending on the size and output capacity of the subwoofer system driven by the AT101 amplifier, it may be sonically beneficial to turn the bass boost clockwise to the 18 dB position, which will emphasize the 45 Hz frequency range output for more „bass punch“. The emphasis at 45 Hz causes a „fatter“ bass response, which often creates that extra bit of fun, depending on the music preferences. By emphasizing the 45 Hz range, the AT101 will also limit a bit earlier, e.g. the distortion-free output is slightly reduced.

INPUT SENSITIVITY

To reach a maximum in dynamic response from each individual head-unit/amplifier/speaker combination, it is important to set the respective input sensitivity controls („SENS“) of all channel pairs correctly.

Before you start, you MUST set all tone controls (Bass, Mid, Treble, Loudness etc.) and the fader on the head unit to their neutral or center positions.

Now turn all input gain controls of the installed amplifiers counter clockwise to their minimum positions and start with the channel pair, that drives the subwoofer system.

SUBWOOFER CHANNEL(S)

Set the volume control of your head-unit to approximately $\frac{3}{4}$ of full volume, while playing a dynamic piece of music. Slowly increase the input gain control of the channel pair driving the subwoofer(s), by turning the SENS control clockwise. Increase clockwise until the bass starts to distort. Reduce the main volume level of your head-unit to a medium listening level. Proceed with further channels, if applicable.

SATELLITE CHANNELS

Slowly increase the input gain control of the channel pair driving the satellite system, by turning the SENS control clockwise. Increase clockwise until you reach a good tonal balance with a slight emphasis of the bass range. Repeat for all further channels.

FINE TUNING OF ALL CROSSOVER FREQUENCY POINT SETTINGS

Finally you can attempt to fine-tune the HP, and LP crossover frequencies on your amplifier setup, to reach the maximum tonal balance and channel integration of all loudspeakers connected to your truck audio system.

Wir danken Ihnen für den Kauf dieser AXTON Endstufe.

Damit Sie die Wiedergabequalität und die Leistungsfähigkeit dieses Verstärkers voll ausschöpfen können bitten wir Sie, sich eingehend mit den Möglichkeiten und technischen Features dieses Verstärkers vertraut zu machen. Lesen Sie deshalb die nachfolgenden Abschnitte sorgfältig durch und bewahren Sie diese Bedienungsanleitung auf.

Falls Sie im Anschluss weitergehende Fragen zu den Funktionen oder dem Anschluss dieser Endstufe haben, kontaktieren Sie Ihren Händler.

SICHERHEITSHINWEISE

- **Bedienen Sie keine Funktion, die Sie während der LKW Fahrt ablenken könnte.** Funktionen, welche Ihre besondere Aufmerksamkeit erfordern, dürfen ausschliesslich genutzt werden, wenn das Fahrzeug stillsteht. Stellen Sie sicher, dass Sie an einem sicheren Ort parken, bevor Sie das Gerät bedienen. Es besteht sonst ein hohes Risiko eines Unfalls.
- **Halten Sie die Lautstärke auf einem Level, wo Sie noch Geräusche von aussen wahrnehmen können.** Es besteht sonst ein hohes Risiko eines Unfalls.
- **Öffnen und/oder modifizieren Sie das Produkt nicht.** Es besteht sonst ein hohes Risiko eines Unfalls, Feuers oder elektrischen Schlags.
- **Der Verstärker ist ausschliesslich für Anwendungen im LKW mit einem 24 Volt Bordnetz mit (-) Masse vorgesehen.** Es besteht bei anderweitiger Verwendung ein hohes Risiko eines Unfalls, Feuers oder elektrischen Schocks.
- **Verwenden Sie für den Masseanschluss keine Mutter oder Befestigungen der Bremse, Lenkung oder des Tanks.** Die Nutzung dieser Teile kann die Sicherheitseinrichtungen des Fahrzeugs deaktivieren oder zu Fehlfunktionen führen. Es besteht daher ein hohes Risiko eines Unfalls oder Feuers.
- **Verdecken oder behindern Sie keine Öffnungen oder Ventilatoren.** Durch Überhitzung besteht die Gefahr eines Feuers.
- **Stellen Sie sicher, dass alle Anschlüsse korrekt sind.** Es besteht sonst ein hohes Risiko eines Unfalls, Feuers oder elektrischen Schocks.
- **Halten Sie kleine Objekte, wie zum Beispiel Schrauben und Muttern von Kindern fern.** Ein Verschlucken solcher Objekte kann schwerwiegende Folgen für die Gesundheit haben. Im Fall eines Verschluckens suchen Sie umgehend ärztliche Hilfe.
- **Trennen Sie vor der Installation den Minus-Pol von der Batterie,** um Verletzungen oder Beschädigungen am Produkt oder Fahrzeug zu vermeiden.

TECHNISCHE SPEZIFIKATIONEN

MONO VERSTÄRKER AT101

230 W x 1 @ 4 Ohm (< 1 % THD / 28.8 V)
380 W x 1 @ 2 Ohm (< 1 % THD / 28.8 V)
600 W x 1 @ 1 Ohm (< 1 % THD / 28.8 V)
Frequenzgang: 10 Hz – 250 Hz
Variable Eingangsempfindlichkeit: 0.4 – 10 V
Signal-Rauschabstand: > 86 dB
Tiefpass-Filter: 50 – 250 Hz
Subsonic-Filter: 10 – 55 Hz
Dimensionen BxHxT: 205 x 40 x 105 mm

4-KANAL VERSTÄRKER AT401

100 W x 4 @ 4 Ohm (< 1 % THD / 28.8 V)
165 W x 4 @ 2 Ohm (< 1 % THD / 28.8 V)
330 W x 2 @ 4 Ohm (< 1 % THD / 28.8 V)
Frequenzgang: 10 Hz – 35 kHz
Variable Eingangsempfindlichkeit: 0.4 – 10 V
Signal-Rauschabstand: > 85 dB
Hochpass-Filter: 40 – 400 Hz
Tiefpass-Filter: 40 – 400 Hz
Dimensionen BxHxT: 233 x 40 x 105 mm

1 SIGNALEINGÄNGE R / L

Eingangsbuchsen für den Anschluss der Cinch- oder Lautsprechersignalausgänge des Steuergerätes mit dem entsprechenden beiliegenden Adapter.

2 INPUT LEVEL

Eingangsempfindlichkeitsregler für die Anpassung an die Ausgangsspannung des Steuergerätes.

3 AUTO-TURN-ON MODUS

Schiebeschalter zum Auswählen der Auto-Turn-On Funktion: REM für Remotekabel, VOX zum Einschalten durch ein Musiksignal oder DC für die Nutzung der DC-Offset Spannung des im Steuergerät integrierten Verstärkers (empfohlen).

4 INPUT SENSITIVITY REGLER

Eingangsempfindlichkeitsregler „SENS“ für die Anpassung an die Ausgangsspannung des Steuergerätes.

5 REGLER SUBSONIC TRENNFREQUENZ

Regler zum Einstellen des Subsonic Highpass-Filters an der integrierten elektronischen Frequenzweiche des Subwooferausgangs.

6 BASS BOOST 0dB bis + 18dB

Regler zum Anheben des Lautstärkepegels um bis zu + 18dB bei einer Mittenfrequenz von 45 Hz.

7 REGLER TIEFPASS TRENNFREQUENZ

Regler zum Einstellen des Tiefpass-Filters [LPF] an der integrierten elektronischen Frequenzweiche des Subwooferausgangs.

8 BASS LEVEL REMOTE CONTROL INPUT

Eingangsterminal für den Anschluss des Remote-Kabels der Basspegelfernbedienung an den Verstärker.

9 AUSWAHL EINGANGSMODUS

Schalter um den richtigen Eingangsempfindlichkeitsbereich zu wählen: RCA Cinchsignal = Low. Lautsprecher-signal = Hi.

10 POWER LED

Die LED signalisiert durch blaues Leuchten den normalen Betriebszustand der Endstufe im eingeschalteten Zustand. Im Protect Modus leuchtet die LED rot.

11 AUSGANGSTERMINAL DER LAUTSPRECHER

Lautsprecheranschlussterminal für den Anschluss von Lautsprechern mit dem beiliegenden Adapter.

12 "+24 V" POWER INPUT TERMINAL

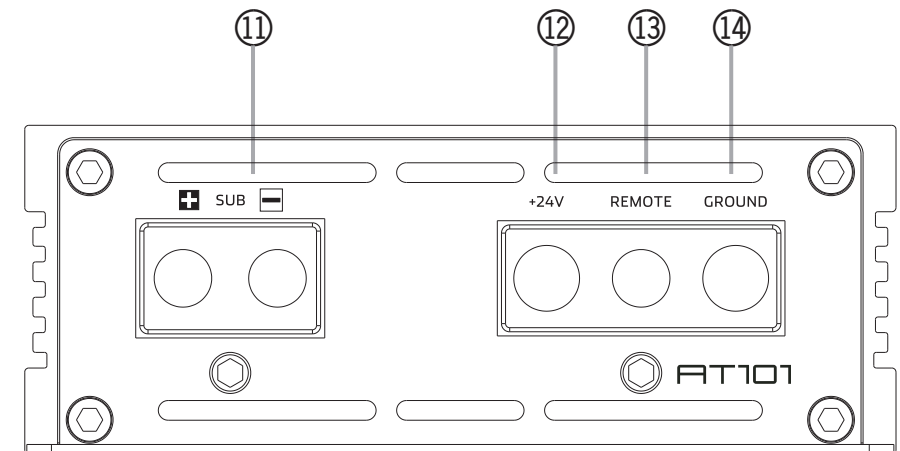
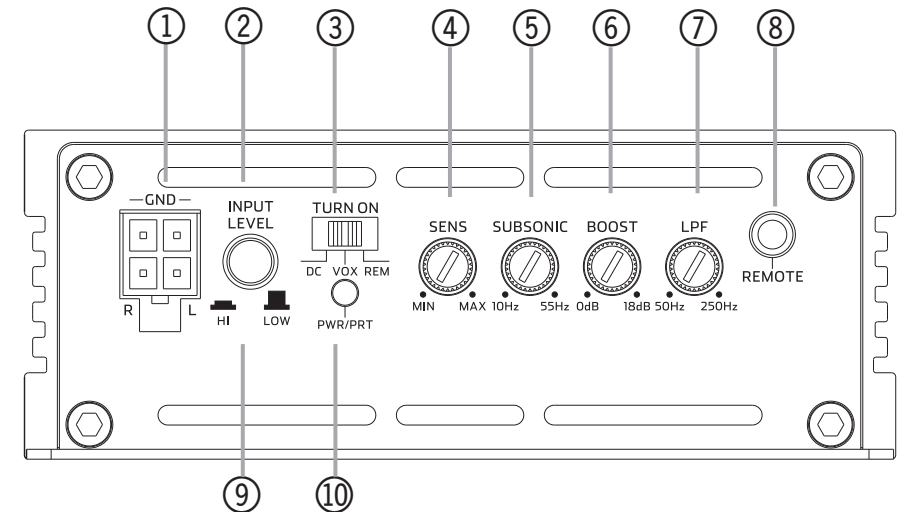
Eingangsterminal für den Anschluss an den Pluspol der Fahrzeugbatterie.

13 "REM" INPUT TERMINAL

Eingangsterminal für den Anschluss des Remote-Kabels über den Amp- oder Antenna-Remote Ausgang des Steuergerätes. Der Schalter unter ③ muss auf REM gestellt werden, wenn der Remote-Anschluss genutzt wird.

14 "GND" POWER INPUT TERMINAL

Eingangsterminal für den Anschluss an die Chassis-Masse des Fahrzeugs oder den Minuspol der Fahrzeugbatterie.



AT401 ANSCHLÜSSE + BEDIENUNGSELEMENTE

1 SIGNALEINGÄNGE FRONT CH1 / CH2

Eingangsbuchsen für den Anschluss der Cinch- oder Lautsprechersignalausgänge des Steuergerätes mit dem entsprechenden beiliegenden Adapter.

2 INPUT SENSITIVITY REGLER FRONT KANÄLE

Eingangsempfindlichkeitsregler „SENS“ der CH1 / CH2 Kanäle für die Anpassung an die Ausgangsspannung des Steuergerätes.

3 SCHALTER BETRIEBSART FRONT KANÄLE

Schiebeschalter für die Festlegung der Arbeitsweise der integrierten elektronischen Frequenzweiche: Hochpass-Filter [HPF], Tiefpass-Filter [LPF] und komplettes Signal [FULL].

4 REGLER TRENNFREQUENZ FRONT KANÄLE

Regler zum Einstellen des gewählten Hochpass-Filters [HPF] oder Tiefpass-Filters [LPF] an der integrierten elektronischen Frequenzweiche.

5 INPUT SENSITIVITY REGLER REAR KANÄLE

Eingangsempfindlichkeitsregler „SENS“ der CH3 / CH4 Kanäle für die Anpassung an die Ausgangsspannung des Steuergerätes.

6 SCHALTER BETRIEBSART REAR KANÄLE

Schiebeschalter für die Festlegung der Arbeitsweise der integrierten elektronischen Frequenzweiche: Hochpass-Filter [HPF], Tiefpass-Filter [LPF] und komplettes Signal [FULL].

7 REGLER TRENNFREQUENZ REAR KANÄLE

Regler zum Einstellen des gewählten Hochpass-Filters [HPF] oder Tiefpass-Filters [LPF] an der integrierten elektronischen Frequenzweiche.

8 POWER LED

Die LED signalisiert durch blaues Leuchten den normalen Betriebszustand der Endstufe im eingeschalteten Zustand. Im Protect Modus leuchtet die LED rot.

9 AUTO-TURN-ON MODUS

Schiebeschalter zum Auswählen der Auto-Turn-On Funktion: REM für Remotekabel, VOX zum Einschalten durch ein Musiksignal oder DC für die Nutzung der DC-Offset Spannung des im Steuergerät integrierten Verstärkers (empfohlen).

10 EINGANGSWAHLSCHALTER

Schieben, um die zu nutzenden Eingangskanäle auszuwählen: „2CH“ stellt das Signal der FRONT-Eingänge sämtlichen Ausgangskanälen bereit, „4CH“ übergibt das Eingangssignal an den entsprechenden Ausgangskanal.

11 AUSWAHL EINGANGSMODUS

Schalter um den richtigen Eingangsempfindlichkeitsbereich zu wählen: RCA Cinchsignal = Low. Lautsprechersignal = Hi.

12 SIGNALEINGÄNGE REAR CH3 / CH4

Eingangsbuchsen für den Anschluss der Cinch- oder Lautsprechersignalausgänge des Steuergerätes mit dem entsprechenden beiliegenden Adapter.

13 AUSGANGSTERMINAL DER LAUTSPRECHER

Lautsprecheranschlussterminal für den Anschluss von Lautsprechern mit dem beiliegenden Adapter.

AT401 ANSCHLÜSSE + BEDIENUNGSELEMENTE

14 “+24 V” POWER INPUT TERMINAL

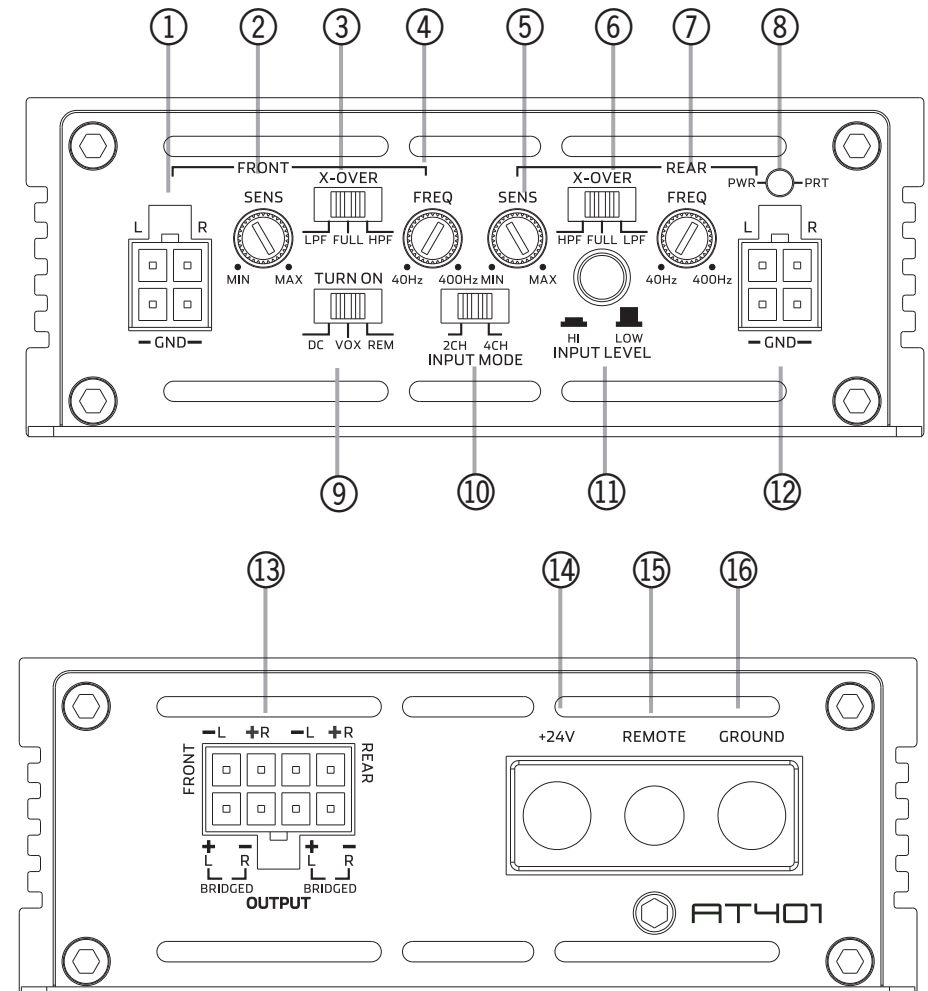
Eingangsterminal für den Anschluss an den Pluspol der Fahrzeugbatterie.

15 “REM” INPUT TERMINAL

Eingangsterminal für den Anschluss des Remote-Kabels über den Amp- oder Antenna-Remote Ausgang des Steuergerätes. Der Schalter unter ⑨ muss auf REM gestellt werden, wenn der Remote-Anschluss genutzt wird.

16 “GND” POWER INPUT TERMINAL

Eingangsterminal für den Anschluss an die Chassis-Masse des Fahrzeugs oder den Minuspol der Fahrzeugbatterie.



LAUTSPRECHER IMPEDANZ & KABELINFO

Die möglichen Abschlussimpedanzen für Ihr Verstärker Modell entnehmen Sie den folgenden Angaben.

AT401 → 4/2 Ohm stereo / 4 Ohm 2-CH gebrückt
AT101 → 4/2/1 Ohm mono

→ LAUTSPERCHER KABEL

Verwenden Sie qualitativ gutes Lautsprecherkabel mit einem minimalen Querschnitt von 1.5 mm² bis 2.5 mm².

MONTAGE DES VERSTÄRKERS

ACHTUNG! Entfernen Sie zu Ihrer eigenen Sicherheit erst das Massekabel von der Batterie!

Bei allen nachfolgend beschriebenen Installationsschritten muss der Stromkreis des Kraftfahrzeugs unterbrochen sein! Erst nach Abschluss aller Installationsarbeiten wird über das Massekabel der Stromkreis wieder geschlossen.

Bevor Sie mit der Montage dieses Verstärkers beginnen: Berücksichtigen Sie vorab die Kabelverläufe und den Installationsort des Verstärkers.

Der Verstärker sollte im Interesse der Sicherheit bei einem Unfall möglichst gut und solide montiert werden. Die Endstufe sollte auf keinen Fall „unzugänglich verbaut“ werden, wegen der schlechten Kühlung und auch den abschliessend erfolgenden Einstellarbeiten.

Vermeiden Sie Montageorte mit „unbekanntem Hintergrund“. Es könnten sich ein Benzintank, hydraulische Bremsleitungen, Kabelbäume etc. dahinter verbergen! Achten Sie auch auf einen trocken, gegen mechanische Einwirkungen geschützten Installationsort.

Halten Sie den Verstärker an den gewünschten Ort und markieren Sie mit einem geeigneten Filzstift die Bohrposition der Befestigungslöcher.

Mit der gebotenen Vorsicht bohren Sie nun die angezeichneten Löcher mit einem 2,5 oder 3 mm Bohrer.

ACHTUNG: Die Endstufe darf niemals direkt auf die Fahrzeugmasse des LKW's geschraubt werden da eine Masse-Brummschleife resultiert! Legen Sie nun den Verstärker auf die vorgebohrten Löcher und schrauben Sie ihn gut fest.

VERKABELUNG / ELEKTRISCHER ANSCHLUSS

HAUPT-STROMKABEL

Wir empfehlen einen minimalen Kabelquerschnitt (bei einer Länge von 5 m) von 16 bis 20 mm² für das +24 V und das Massekabel. Diese Empfehlung garantieren eine problemlose Funktion des Verstärkers, sowie volle Leistungsabgabe ohne übermässige Erwärmung.

Verlegen Sie das Pluskabel direkt von der Batterie zum Verstärker.

Innerhalb der ersten 30 cm nach dem Pluspolklemmenabgriff muss eine Hauptsicherung angebracht werden (Absicherung des Pluskabels gegen Kurzschluss auf Fahrzeug-

Masse und dadurch resultierendem Kabelbrand!). Verwenden Sie ein dem Stromkabelquerschnitt entsprechenden Sicherungswert.

Schliessen Sie das Masse-Powerkabel am Verstärker und an einem geeigneten Massepunkt im Fahrzeug an. Versuchen Sie das Massekabel so kurz wie möglich zu halten. Es sollte den selben Querschnitt wie das positive Powerkabel besitzen. Achten Sie beim Massepunkt auf eine perfekt gesäuberte blanke Metalloberfläche im Fahrzeug (schlechte Massepunkte sind sehr oft die Ursache für Störungen).

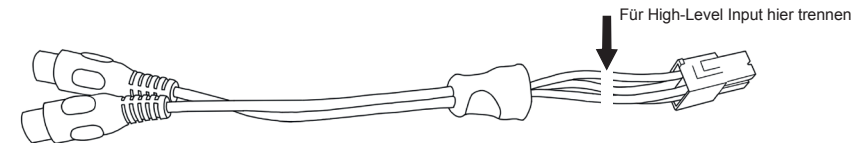
CINCH- & REMOTE KABEL

Verwenden Sie für beste Einstörfestigkeit am besten doppelt oder dreifach abgeschirmte Kabel, oder sogenannte „Twisted Pair“ Typen. Die signalführenden Cinchkabel sollten soweit als möglich von allen potentiellen „elektrischen Störsendern“ wie Bordcomputer, Benzinpumpe, Black Boxes, etc. verlegt werden. Verlegen Sie das oder die Cinchkabel, das Fernbedienungskabel für die Pegel-Regelung (nur AT101) von den Kanälen die den Subwoofer treiben und das Remote-Kabel vom Steuergerät zur Endstufe. Diese Kabel sollten unbedingt räumlich getrennt von der Stromzuführung des Verstärkers eingezogen werden. Schliessen Sie das Remote-Kabel an das mit „REM“ bezeichnete Terminal an der Endstufe und an das mit Antenna-Rem. oder ACC+ bezeichnete Kabel Ihres Steuergerätes an. Anschliessend stecken Sie die Cinchkabel in die Cinchbuchsen des beiliegenden Adapters und diesen dann am Verstärker an. Beachten Sie hierbei die Seitenkennung, d.h. CH1 ist links, CH2 ist rechts, etc! Nun wird – falls erwünscht – noch die Fernbedienung (nur AT101) in Griffnähe angebracht und der Stecker vom Kabel in die Buchse am Verstärker eingesteckt.

HIGH-LEVEL INPUT

Verwenden Sie qualitativ gutes Lautsprecherkabel mit einem minimalen Querschnitt von 1.0 mm² oder 1.5 mm². Schliessen Sie nun die Lautsprecherkabel an die mitgelieferten Adapter an. Beachten Sie die richtige Polung der Lautsprecherkabel („+“ auf „+“, „-“ auf „-“). Wenn Sie ein High-Level Eingangssignale benutzen, können Sie die automatische Einschaltfunktion nutzen (nicht möglich bei Verwendung mit Cinchkabeln). Wählen Sie zwischen „VOX“ für Einschalten bei anliegendem Musiksignal oder „DC“, um die sogenannte DC-Offset Spannung des internen Radioverstärkers zu nutzen (empfohlen).

Schneiden Sie den mitgelieferten RCA Adapter durch, um ihn als High-Level Input Adapter zu verwenden.



LAUTSPRECHERKABEL

Verwenden Sie qualitativ gutes Lautsprecherkabel mit einem minimalen Querschnitt von 1.5 mm² bis 2.5 mm². Schliessen Sie nun die Lautsprecherkabel an die mitgelieferten Adapter an. Beachten Sie die richtige Polung der Lautsprecherkabel („+“ auf „+“, „-“ auf „-“). Schliessen Sie den Stromkreis zum Verstärker durch Remontage der Massepolklemme an der Batterie. Ihr Verstärker sollte beim Einschalten des Steuergerätes durch das Aufleuchten der LED Betriebsbereitschaft anzeigen. Leuchtet die LED nicht oder rot, ist Ihre Installation fehlerhaft. Gehen Sie die gesamten Installationsanweisungen und die Verkabelung nochmals genau durch.

EINSTELLUNG DER FREQUENZWEICHE

Damit der Verstärker die angeschlossenen Lautsprechersysteme optimal ansteuern kann, müssen Sie die Einstellungen an der Frequenzweiche vornehmen.

WAHL DES BETRIEBSMODUS

In Abhängigkeit der im Fahrzeug verbauten Lautsprechersysteme müssen Sie jedes Kanalpaar über den Betriebswahlschalter konfigurieren. Jedes Kanalpaar ermöglicht die Wahl von Hochpass und Tiefpass Betrieb der nachfolgenden Verstärkerkanäle.

- Wählen Sie HIGHPASS („HPF“), wenn der angeschlossene Lautsprecher ein Koax-, Triax- oder Komponentensystem Lautsprecher ist.
- Wählen Sie TIEFPASS („LPF“), wenn der angeschlossene Lautsprecher ein Tieftöner oder Subwoofer System ist.
- Wählen Sie FLAT, wenn der angeschlossene Lautsprecher den gesamten Frequenzbereich ohne Filterung verarbeiten kann.

HOCHPASS TRENNFREQUENZ

Mit der Einstellung der Trennfrequenz des Hochpasses („HPF“) soll eine elektrische und mechanische Entlastung der verwendeten Koax oder Komponentensysteme erfolgen. Je nach der vorhandenen Membranfläche und Nennbelastbarkeit der verwendeten (Satelliten)-Systeme wird eine Trennfrequenz um 50 bis 150Hz die besten Resultate zeigen.

KOMPO ODER KOAXSYSTEM FRONT („HPF“ AKTIVIERT)

| | HPF TRENNFREQUENZ |
|--|-------------------|
| 10 cm 2-Weg Koax- oder Komponentensystem | 160 – 200Hz |
| 13 cm 2-Weg Koax- oder Komponentensystem | 80 – 110Hz |
| 16 cm 2-Weg Koax- oder Komponentensystem | 50 – 80Hz |

KOMPO ODER KOAXSYSTEM IM HECKBEREICH („HPF“ AKTIVIERT)

| | HP TRENNFREQUENZ |
|---|------------------|
| 10 cm 2-Weg Koax- oder Komponentensystem | 160 – 200Hz |
| 13 cm 2-Weg Koax- oder Komponentensysteme | 100 – 120Hz* |
| 16 cm 2-Weg Koax- oder Komponentensysteme | 110 – 130Hz* |
| 6x9“ oder 7x10“ Triaxialsystem | 120 – 140Hz* |

*Wenn ein Subwoofer Teil des Anlagenkonzeptes ist.

TIEFPASS TRENNFREQUENZ

Stellen Sie den MODE Betriebswahlschalter auf „LPF“. Die einzustellende Trennfrequenz des Tiefpasses (LPF) sollte zwischen 50 bis 90 Hz liegen. Diese Einstellung erfolgt rein gehörmässig und hängt von vielen Faktoren wie Subwoofer-System und dem Fahrzeug selber ab.

SUBSONIC HOCHPASS TRENNFREQUENZ (AT101)

Um den angeschlossenen Subwoofer von unnötiger Hubarbeit im subsonischen Bassbereich zu schützen, ist ein weiterer Regler, genannt „Subsonic“, vorhanden. Das „Subsonicfilter“ schneidet alle Frequenzen unter dem eingestellten Wert mit 12dB/Okt. ab und filtert die sehr tiefen (unhörbaren) Frequenzanteile im Programmmaterial heraus, die der angeschlossene Subwoofer entweder nicht wiedergeben kann oder die ihn bei hohen Ausgangspegeln zu extremen Auslenkungen treiben würde. Sie können das Subsonic Potentiometer auf 10 Hz einstellen, womit es keinen Einfluss mehr auf den hörbaren Bassbereich hat.

BASS BOOST (AT101)

In Abhängigkeit zur Grösse und Belastbarkeit des durch die AT101 mono Endstufe zu treibenden Gehäusesubwoofers, kann es klanglich von Vorteil sein, den Bass Boost Regler im Uhrzeigersinn auf bis zu +18dB zu drehen, wodurch der Frequenzbereich um 45 Hz betont wird. Die Betonung um 45 Hz bewirkt eine „fettere“ bzw. tiefere Basswiedergabe, was je nach Musikvorlieben das gewisse Extra an Spass erzeugt. Durch die Betonung des 45 Hz Bereiches kommt die AT101 auch früher an das Limit der max. verzerrungsfreien Ausgangsleistung.

EINGANGSEMPFINDLICHKEIT

Die korrekte Einstellung der Eingangsempfindlichkeit „SENS“ ist wichtig für die Ausnutzung des optimalen Dynamikspielraumes Ihrer Steuergerät / Verstärker / Lautsprecherkombination. Die Empfindlichkeitseinstellung beeinflusst das Grundrauschen ebenso wie die verzerrungsfrei erzielbare Maximallautstärke.

Bevor Sie mit der Anpassung der Eingangsempfindlichkeiten anfangen, müssen zuerst alle Klangregler, sowie auch der Fader/Balance in die Mittel (Neutral) Position gebracht werden. Deaktivieren sie auch die Loudness Funktion.

SUBWOOFER

Falls sich ein Subwoofer im Anlagenkonzept befindet, muss der Eingangsregler „SENS“ als erster eingestellt werden. Drehen Sie den Input SENS Regler an der Endstufe im Gegenuhrzeigersinn auf die Minimumposition.

Stellen Sie den Lautstärkereglers Ihres Steuergerätes auf ca. ¼ der Maximallautstärke. Drehen Sie nun den Regler vom Subwoofer-Kanal langsam im Uhrzeigersinn auf, bis Sie die Verzerrungsgrenze im Bassbereich erreichen. Dann drehen Sie die Lautstärke vom Steuergerät auf ca. halb zurück und nehmen Sie nun die Einstellung der weiteren Kanalpaare vor.

LAUTSPRECHERSYSTEME SENS

Drehen Sie den Regler vom Kanalpaar der Frontsysteme langsam auf. „Dosieren“ Sie die Lautstärke des vorderen Lautsprechersystems so hinzu, dass sich ein ausgewogener basskräftiger Klang einstellt. Fahren Sie mit weiteren Kanalpaaren fort, falls im Systemkonzept vorhanden.

Wenn die Input-SENS Einstellung an allen vorhandenen Kanalpaaren erfolgt ist, empfiehlt es sich, die Trennfrequenzen nochmals fein einzustellen.

WARRANTY CONDITIONS + LIMITATIONS

What products are covered by AXTON's limited Warranty?

The limited Warranty (the "Warranty") applies to AXTON products purchased from an authorized dealer by end customers in the European Economic Area or Switzerland ("Territorial Scope").

What is the validity period of AXTON's Warranty?

Under this Warranty, AXTON warrants, for a period of 2 years, that the product is free from defects in material and/or workmanship at the time of the original purchase. This 2-year period commences on the date of the original purchase as per the original invoice or until receipt. If you have purchased the product as a consumer, and the defect is identified within the first six months after the original purchase (see above), we will assume that the defect already existed at the time of purchase.

Who can claim under the Warranty?

AXTON grants the limited Warranty to natural persons only, who purchased the relevant product primarily for personal use.

What is covered by the Warranty?

AXTON warrants that the product is free from defects in material and/or workmanship at the time of the original purchase. AXTON does not, however, provide a warranty covering every defect and damage that may occur. It only covers the hardware components of the device, and in no event the software used with the device, regardless if this was provided by AXTON or the third-party vendor. The Warranty therefore does not cover the following cases, in particular:

- normal wear and tear (such as to surfaces and protective coverings);
- superficial damage, such as scratches, dents, and damaged plastic, worn or mechanically defective connections;
- misuse, including any treatment resulting in physical or superficial damage, such as a cosmetic defect, to the product;
- damage caused by connecting or using the product for a purpose other than those specified, or a failure to observe the operating and/or installation instructions for the particular model;
- installation or use of the product contrary to the applicable technical standards, or the safety regulations in the country in which the product is installed or used;
- damage caused through an unauthorized attempted repair, or an attempted repair by someone other than a AXTON authorized service partner;
- damage caused by modifications to the product not expressly authorized by the manufacturer;
- damage caused by malicious code ("Software Viruses") or by using software not supplied with the product or which was incorrectly installed;
- use of third party vendor software programs for editing, modifying, adapting, or extending AXTON's authorized software components as are run on the product;
- use of third-party vendor firmware/operating system software
- damage caused by liquids or chemicals of whatever type, and/or excessive temperatures, moisture, or damp;
- accidents, drops or other such effects of extreme accelerating forces;
- damage caused by lightning strikes, electrostatic charge, incorrect operating voltage, water, fire, force majeure, inadequate ventilation for other reasons for which AXTON is not responsible;
- damage caused by using the device outside of the defined specifications;
- damage caused by using the product with other systems or devices, which are not designed to be used with this product;
- adjustments or modifications without AXTON's prior written approval, including product upgrades extending beyond the specifications or characteristics described in the operating manual;
- modifications of the product for the purpose of adapting it to national or local technical norms or safety standards of countries for which the product was not expressly designed or manufactured;
- using service or spare parts not produced or distributed by AXTON;
- using the product in connection with accessories not approved for use with this product;

AXTON, moreover, does not warrant (expressly, implicitly, statutorily, or otherwise) the quality, performance, reliability or suitability of the product for a particular purpose except as described, nor the software/firmware installed on the device ex works.

No warranty service will be provided, moreover, if the model number

/serial number/UUID/product number on the product is changed, erased, made illegible or removed. The same applies if the receipt or invoice is incomplete and/or illegible when presented.

Is AXTON liable for other defects or damage?

AXTON will repair or replace products, only if they are covered by the terms of this Warranty. AXTON is not liable for any material or intangible loss or damage such as the price paid for the product, loss of profits, revenue, data, or relating to the enjoyment of the product or components associated with it, arising directly or indirectly under this Warranty or otherwise in relation to products or services. This likewise applies to loss or damage relating to the impairment or operational failure of the product, or devices associated with it, caused by defects or the non-availability of the product during the time it is with AXTON or AXTON's service partner, as well as to periods of downtime and business interruptions. In addition, AXTON does not accept any liability for shipment-related risks - such as the loss or destruction of the product - in connection with the fulfilment of the Warranty.

This disclaimer applies to losses of damage irrespective of the legal basis, especially on the grounds of negligence, other wrongful conduct (torts), breach of contract, express or implied guarantees, and strict liability (even if AXTON or its service partner has been advised of the possibility of such damage occurring).

If these disclaimers are prohibited or limited under the applicable law, AXTON will limit its Warranty and liability to the extent permissible under the applicable regulations. For example, some national laws prohibit the exclusion or limiting of damages payable in connection with negligence, gross negligence, willful wrongdoing, deceitful conduct, and other such acts. For the duration of this Warranty, all liability that cannot be excluded completely will be limited to the extent permissible under the applicable law. Liability under this Warranty is limited to the price paid for the product. If the applicable law only permits higher limits on any liability, this higher limitation will apply.

How do I exercise my Warranty rights?

If you want to exercise your entitlements under this Warranty, please contact the authorized dealer where the product was purchased, and present it with the original copy of the till receipt or invoice. Do not return any products to AXTON directly, otherwise our Warranty obligations cannot be fulfilled. You will find the name of the relevant dealer or reseller on your proof of purchase.

Defective devices sent by the authorized dealer to the service center, must also be accompanied by any accessories with a logical connection to the observed fault. This means, for example, the navigation package on an SD or microSD card supplied or purchased with the device, if problems or functional errors were observed in connection with the navigation function.

How will AXTON fulfil its Warranty?

AXTON or its service partner will choose to either repair or replace the product or its defective parts covered by the Warranty, and assume the costs of material and labor in doing so.

Repairs under the Warranty must be carried out by AXTON or its authorized service partner. Products that are repaired or replaced may contain new and/or refurbished components and devices. Components that are swapped out will become the property of AXTON.

Will I incur any costs in connection with the Warranty service?

AXTON assumes the costs of material and labor in connection with its Warranty service. The Warranty holder is responsible for the costs of shipment and bears the risks connected with the shipment (see above). If the product is found to be operating faultlessly, or there is no warranty entitlement because the warrant period has expired or for any other reason, AXTON or its authorized service partner will be entitled to charge a flat-rate investigation fee of €30.00.

Do this Warranty affect my statutory or contractual rights?

This Warranty is made voluntarily by AXTON, and it will, in any case, extend your statutory rights. As a consumer, you remain fully entitled to your statutory rights, such as the statutory guarantee. This Warranty also has no effect whatsoever on your contractual rights against the reseller. You may continue to exercise these rights in full.

GARANTIE-BESTIMMUNGEN + EINSCHRÄNKUNGEN

Für welche Produkte gilt die begrenzte Herstellergarantie von AXTON?

Die begrenzte Herstellergarantie (im Weiteren als „Garantie“ bezeichnet) gilt für Produkte von AXTON, die Endkunden im Europäischen Wirtschaftsraum oder der Schweiz („räumlicher Geltungsbereich“) von einem autorisierten Fachhändler erwerben.

Für welchen Zeitraum gewährt AXTON die Garantie?

Mit dieser Garantie gewährt AXTON für den Zeitraum von 2 Jahren, dass das Produkt zum Zeitpunkt des Ersterwerbs keine Material- und/oder Verarbeitungsfehler aufweist. Maßgeblich für den Beginn des 2-Jahres-Zeitraumes ist das Datum des Ersterwerbs gemäß Originalrechnung bzw. des Kassenbeleges. Wenn Sie das Produkt als Verbraucher erworben haben und der Fehler innerhalb der ersten sechs Monate nach dem Ersterwerb (s.o.) auftritt, gehen wir davon aus, dass der Fehler bereits zum Zeitpunkt des Erwerbs vorlag.

Wer kann die Garantie in Anspruch nehmen?

AXTON gewährt die begrenzte Herstellergarantie ausschließlich natürlichen Personen, die das entsprechende Produkt überwiegend zur privaten Nutzung erworben haben.

Was wird von der Garantie umfasst?

AXTON garantiert, dass das Produkt zum Zeitpunkt des Ersterwerbs keine Material- und/oder Verarbeitungsfehler aufweist. AXTON kann allerdings nicht für sämtliche, möglicherweise auftretenden Fehler und Schäden eine Garantie übernehmen. Diese erstreckt sich ausschließlich auf die Hardwarekomponenten des Geräts und keinesfalls auf die auf dem Gerät zum Einsatz kommende Software, gleichgültig, ob diese von AXTON selbst oder Drittanbietern stammt. Insbesondere folgende Fälle sind daher von einer Garantieleistung ausgeschlossen:

- normale Abnutzung und üblicher Verschleiß (z.B. bei Oberflächen und Schutzbeschichtungen);
- oberflächliche Schäden, wie Kratzer, Dellen und beschädigter Kunststoff, abgenutzte bzw. mechanisch defekte Anschlüsse;
- unsachgemäßer Gebrauch, einschließlich einer Behandlung, die physische oder Oberflächenschäden wie z.B. Schönheitsfehler am Produkt zur Folge haben;
- Schäden durch Anschluss an oder Nutzung des Produktes für einen anderen als seinen vorgesehenen Zweck oder Nichtbeachtung der modellspezifischen Bedienungs- oder/und Installationsanleitungen;
- Installation oder Nutzung des Produkts entgegen den geltenden technischen Standards oder den Sicherheitsvorschriften im Land, in dem das Produkt installiert oder verwendet wird;
- Schäden durch nicht autorisierte Reparaturversuche oder Reparaturversuche durch andere als einen autorisierten AXTON Servicepartner;
- Schäden durch nicht vom Hersteller ausdrücklich autorisierte Produktmodifikationen;
- Schäden durch Schadcode-Software („Software Virus“) oder durch Einsatz von Software, die nicht im Lieferumfang enthalten war oder die unsachgemäß installiert wurde;
- Verwendung von Drittanbieter-Softwareprogrammen zur Bearbeitung, Änderung, Anpassung oder Erweiterung der vorhandenen von AXTON autorisierten Softwarebestandteilen, die auf dem Produkt ausgeführt werden;
- Verwendung von Drittanbieter Firmware/Betriebssystem-Software
- Schäden durch Flüssigkeiten oder Chemikalien jeglicher Art und/oder übermäßige Temperaturen, Nässe oder Feuchtigkeit;
- Unfall, Sturz oder sonstige Einwirkung von extremen Beschleunigungskräften;
- Schäden, die durch Blitzschlag, elektrostatische Entladungen, inkorrekte Betriebsspannung, Wasser, Feuer, höhere Gewalt, unzureichende Belüftung oder andere von AXTON nicht zu verantwortende Gründe entstanden sind;
- Schäden, die durch Nutzung des Gerätes außerhalb der vorgegebenen Spezifikationen hervorgerufen werden;
- Schäden durch Verwendung des Produkts mit anderen Systemen oder Geräten, die nicht auf den Einsatz mit diesem Produkt ausgelegt sind;
- Anpassungen oder Änderungen ohne vorherige schriftliche Zustimmung von AXTON, einschließlich Upgrades des Produkts über die Spezifikationen oder Merkmale hinaus, welche in der Bedienungsanleitung beschrieben sind;
- Modifikationen des Produkts, um es an nationale oder örtliche technische Normen oder Sicherheitsstandards in Ländern anzupassen, für die das Produkt nicht ausdrücklich vorgesehen und hergestellt wurde;
- Einsatz von Service- bzw. Ersatzteilen, die nicht von AXTON gefertigt oder vertrieben werden;
- Benutzung des Produkts in Verbindung mit Zubehör, das nicht für die Verwendung mit diesem Produkt zugelassen wurde;

AXTON übernimmt außerdem keine Garantie (weder ausdrücklich, stillschweigend oder anderweitig) für die Qualität, Leistung, Genauigkeit, Zuverlässigkeit oder Eignung des Produktes für einen bestimmten Zweck außerhalb des von uns beschriebenen Verwendungszwecks, oder der sich ab Werk auf dem Gerät befindlichen Software / Firmware.

Garantieleistungen können außerdem nicht erbracht werden, wenn die Modell-/Serien-/UUID- Produktnummer auf dem Produkt geändert, gelöscht, unkenntlich gemacht oder entfernt wurde. Gleiches gilt, wenn der Kassenbeleg oder die Rechnung nicht, nur unvollständig und/oder unleserlich vorgelegt werden.

Haftet AXTON für weitgehende Fehler oder Schäden?

AXTON verpflichtet sich unter dieser Garantie nur zur Reparatur oder zum Austausch von Produkten, die diesen Garantiebedingungen unterliegen. AXTON ist nicht haftbar für Verluste oder Schäden materieller oder immaterieller Art wie Kaufpreis, Gewinneinbußen, Einnahmeverlust, Datenverlust, immaterielle Schäden oder für Schäden resultierend aus der Nichtverfügbarkeit des Produkts oder zugehöriger Komponenten, die direkt, indirekt oder als Folge von Produkten bzw. Dienstleistungen dieser Garantie oder anderweitig erwachsen können. Das gilt für Verluste oder Schäden durch Beeinträchtigung oder Ausfall der Funktion des Produkts oder damit verbundene Geräte durch Defekte bzw. durch die Nichtverfügbarkeit des Produkts, während es sich bei AXTON oder dem Service Partner befindet, Ausfallzeiten und geschäftliche Beeinträchtigungen. Außerdem übernimmt AXTON keine Haftung für Transportrisiken wie beispielsweise Verlust oder Zerstörung im Zusammenhang mit Garantieleistungen.

Diese Haftungsbeschränkung gilt für Verluste und Schäden gleich aus welchem Rechtsgrund, insbesondere auf Grund von Fahrlässigkeit, unerlaubter Handlung, Vertragsbruch, ausdrückliche oder stillschweigende Garantien und Gefährdungshaftung (selbst wenn AXTON oder der Servicepartner auf die Möglichkeiten solcher Schäden hingewiesen wurden). Falls diese Haftungsausschlüsse geltend Recht ganz oder teilweise widersprechen, begrenzt AXTON die Garantieleistung bzw. die Haftung soweit dies nach geltenden Vorschriften zulässig ist. Beispielsweise untersagen einige Ländergesetze den Ausschluss oder die Einschränkung der Schadenersatzhaftung wegen Fahrlässigkeit, grober Fahrlässigkeit, vorsätzlichem Fehlerverhalten, Betrug und ähnlichen Handlungen. Jede Haftung, die nicht vollständig ausgeschlossen werden kann, wird auf die Dauer dieser Garantie begrenzt, sofern das geltende Recht dies zulässt. Die Haftung im Rahmen dieser Garantie ist der Höhe nach auf den Kaufpreis des Produkts beschränkt. Sieht das geltende Recht nur höhere Haftungsgrenzen vor, gilt diese höhere Haftungsbeschränkung.

Was muss ich unternehmen, um Garantieleistungen zu erhalten?

Falls Sie Leistungen nach dieser Garantie in Anspruch nehmen möchten, wenden Sie sich bitte unter Vorlage des Kassenbelegs bzw. der Rechnung im Original direkt an den autorisierten Fachhändler, bei dem das Produkt erworben wurde. Bitte senden Sie keine Produkte direkt an AXTON. Eine Garantieleistung ist dann nicht möglich. Den zuständigen Fachhändler oder Verkäufer entnehmen Sie bitte Ihren Kaufbeleg.

Das durch den autorisierten Händler an die Servicestelle eingesendete Gerät mit Fehlfunktion muss außerdem jene Zubehörteile enthalten, die in einem logischen Bezug zum beobachteten Fehlerbild stehen. Also z.B. mit dem Gerät ausgeliefertes oder erworbenes Zubehör, wenn Probleme oder Funktionsstörungen damit zusammenhängend beobachtet wurden.

In welcher Form erbringt AXTON die Garantie?

AXTON bzw. der Servicepartner werden das Produkt bzw. dessen defekte Teile im Geltungsbereich der Garantie unter Übernahme der Arbeits- und Materialkosten nach eigenem Ermessen und entsprechend der vorliegenden Bedingungen reparieren oder austauschen. Garantiearbeiten müssen durch den autorisierten Servicepartner oder AXTON selbst durchgeführt werden. Reparierte oder ausgetauschte Produkte können neue und/oder aufgearbeitete Komponenten und Geräte enthalten. Ausgetauschte Komponenten gehen in das Eigentum von AXTON über.

Welche Kosten sind mit einer Garantieleistung für mich verbunden?

AXTON übernimmt die Material- und Arbeitskosten im Zusammenhang mit einer Garantieleistung. Die Kosten des Versands sowie die mit dem Versand zusammenhängenden Risiken (s.o.) trägt der Garantienehmer. Sollte sich herausstellen, dass das Produkt fehlerfrei funktioniert oder dass ein Garantieanspruch wegen Ablaufs der Garantiezeit oder aus einem anderen Grund nicht besteht, sind AXTON bzw. seine autorisierten Servicepartner befugt eine pauschale Untersuchungsgebühr i.H.v. 30,-- € zu berechnen.

Werden meine gesetzlichen oder vertraglichen Rechte durch diese Garantie eingeschränkt?

Die vorliegende Garantie ist eine freiwillige Leistung von AXTON, die Ihre gesetzlichen Rechte allenfalls erweitert. Gesetzliche Rechte wie beispielsweise die Gewährleistung bleiben für Sie als Verbraucher in vollem Umfang bestehen. Ebenso hat diese Garantie keinerlei Auswirkungen auf Ihre vertraglichen Ansprüche gegenüber dem Verkäufer selbst. Diese Rechte können Sie nach wie vor uneingeschränkt geltend machen.

WARRANTY SLIP / GARANTIE-KARTE

Model number: **Power Amplifiers** **AT101** **AT401**

Date of purchase / Kaufdatum: _____

Your name / Ihr Name: _____

Your address / Ihre Adresse: _____

City / Stadt: _____


State: _____ ZIP or Postal Code / PLZ: _____

Country / Land: _____

Your Dealer:

NOTES / NOTIZEN

MADE IN CHINA

 10R-06 3356



EU Legal Representative: ACR S & V GmbH, Industriestr. 35, D-79787 Lauchringen, Germany
Manufacturer: ACR Braendli + Voegeli AG, Bohrturmweg 1, CH-5330 Bad Zurzach, Switzerland

AXTON

CAR AUDIO SYSTEMS