

# MATRIX

32X



## ML28 PRO

28 MM / 1.1 INCH

HANDCRAFTED HIGH-END TWEETERS

---

MADE IN GERMANY

---

# MATRIX

BRX

## ML28 PRO

### High-End 28 mm silk dome

Provides brilliant, smooth treble with visco-elastic Acronal coating on both sides

### Innovative inward-flanged design

Superior frequency response thanks to improved sound dispersion

### Solid machined stainless steel housing

Ensures maximum heat dissipation for superior performance

### High-efficiency neodymium magnet

Delivers precise, powerful sound with 8x ventilation for better magnetic flux linearity

### Enhanced coupling volume

Dampened with merino wool for low resonance and improved sound quality

### Stainless steel phase plug

Prevents unwanted reflections within the coupling volume for focused sound reproduction

### Standardized mounting diameter

Matches installation diameter of MATRIX ML50 PRO, GRAPHIC GL2 and GL1 MK2

### 24 carat gold-plated terminals

Guarantee maximum conductivity for optimal signal transmission



### Cover grilles included in two exclusive, swappable designs

Optimized for perfect sound performance



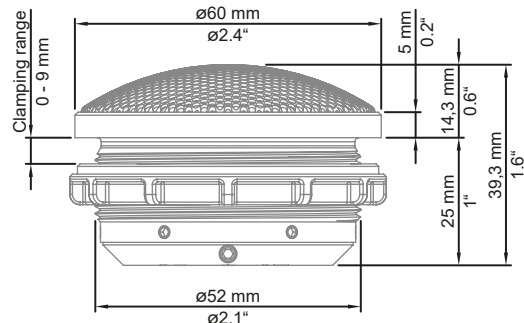
### Technical data

Power handling (highpass > 3,000 Hz at 12 dB/Oct.)	RMS	120 W
	Max.	170 W
Impedance	Z	4 Ω
DC resistance	Re	3.4 Ω
Frequency response		1,800 - 25,000 Hz
Resonance frequency	Fs	760 Hz
Sensitivity (2,83V / 1m; 1W / 1m)	SPL	93 dB; 90 dB
Voice coil diameter	∅	28 mm
Cone area	Sd	6.2 cm <sup>2</sup>
Moving mass	Mms	0.32 g

### Recommended crossover frequencies for the highpass

Slope	Minimum crossover frequency
6 dB/Octave	3,500 Hz
12 dB/Octave	> 2,500 Hz
24 dB/Octave	> 1,800 Hz

### Dimensions



@audiotecfischer #audiotecfischer  
www.audiotec-fischer.com/brax



# AUDIOTEC FISCHER

AUDIOTEC FISCHER GmbH  
Hünegräben 26 - 28  
57392 Schmallenberg  
Germany