

GROUND ZERO[®]

GERMAN ENGINEERING

Datasheet

GZUF 60SQX



GROUND ZERO GmbH – Erlenweg 25 – 85658 Egmating – Germany

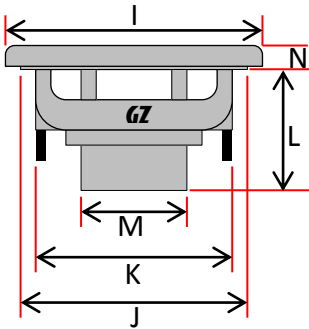


GroundZeroAudioCom

www.ground-zero-audio.com
info@ground-zero-audio.com

	GZUF 60SQX
Cone (Dome)	High shape coated silk dome
Cone color	Black
Surround	Rubber
Dustcap	Aluminum
Basket / Frame material	Fiber composite basket
Basket / Frame color	Black
Terminal	Solder terminal
Magnet	1x Neodymium
Voice coil	25 mm / 1" copper round wire
Voice coil former	Aluminum
RE	3.9 Ohm
SPL	84 dB
FS	150 Hz
QMS	5.12
QES	0.74
QTS	0.64
VAS	0.5 L / 0.018 cu.ft
MMS	1.9 Gr
BL	3.0 N/A
RMS	0.3 kg/s
CMS	0.68 mm/N
LE	0.12 mH
Linear excursion	+/- 1.5 mm / 0.059"
X max	4 mm / 0.157"
Frequency response	300 – 20 kHz
Powerhandling	50 / 80 W
Outer diameter	72 mm / 2.83"
Mounting diameter	61 mm / 2.4"
Mounting depth	36 mm / 1.42"





I	90 mm / 3.54"
J	72.7 mm / 2.86"
K	61.7 mm / 2.43"
L	36 mm / 1.42"
M	37 mm / 1.46"
N	7.2 mm / 0.28"

